

PRE-ASSEMBLY MANUAL FOR THE EVOLUTION SERIES
TR-05-000154

CAUTION !

Please refer to the “Technical Specifications” document to locate the various cut-outs of your configuration and note that this document contains only a general representation of the modules, some details may differ.



Triangle Furniture Systems

PART OF PLANMECA GROUP

TABLE OF CONTENTS

| | |
|-------------------------|----|
| Introduction | 3 |
| Example of installation | 3 |
| Service cut-outs | 4 |
| Requirements | 10 |
| Material requirements | 10 |
| Plumbing requirements | 10 |
| Electrical requirements | 11 |
| Contact | 12 |

INTRODUCTION

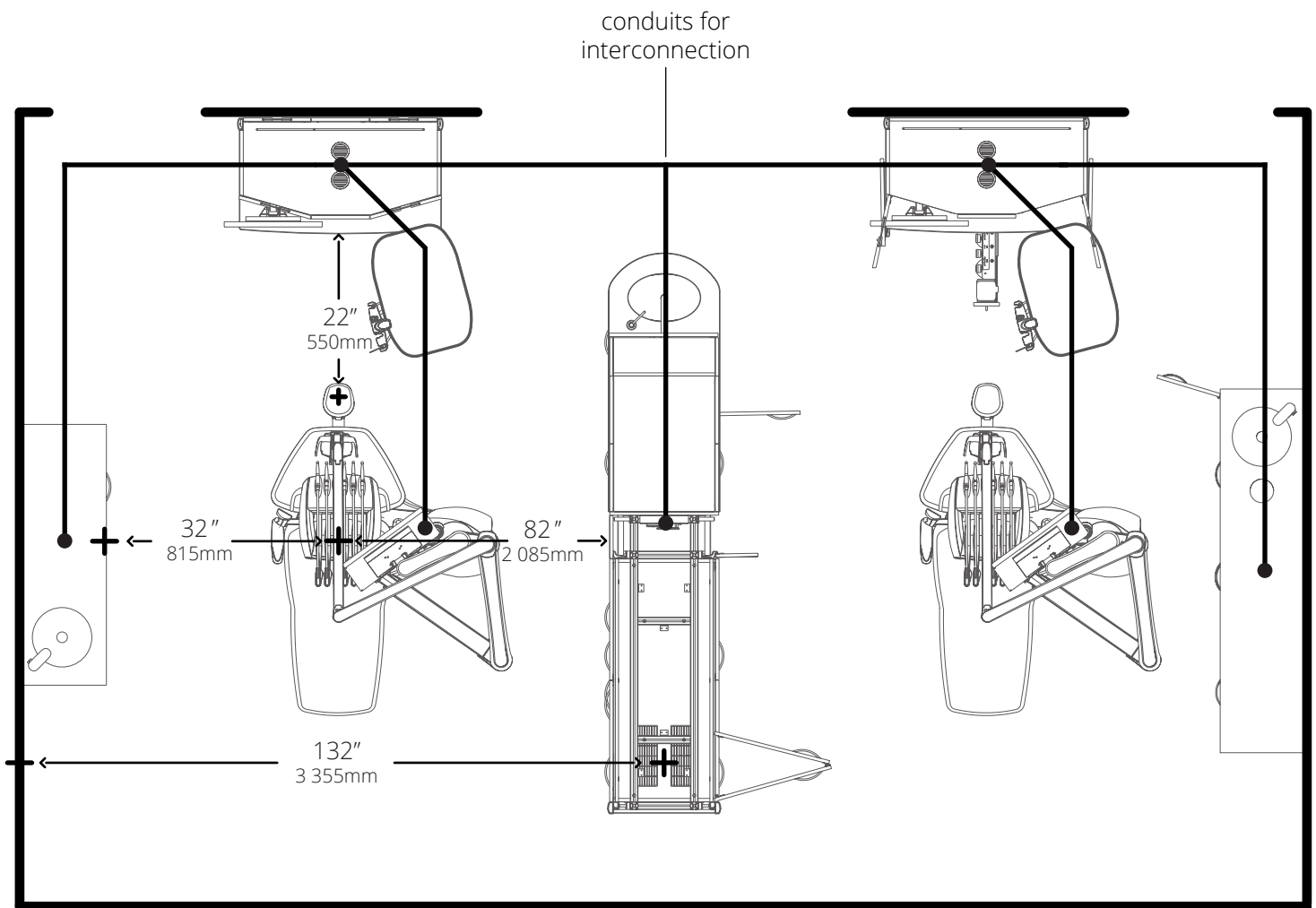
This document contains all the necessary information for the pre-assembly of the Evolution Series cabinetry. Follow the various steps carefully to ensure the process is done right and pay attention to the instructions in **bold**.

Note: The steps detailed in this manual resume the whole process of the pre-assembly of the Evolution Series cabinetry. If, for any step, there is a conflict between this manual and local building codes, the latter will always prevail. For more details, please contact Triangle Furniture Systems.

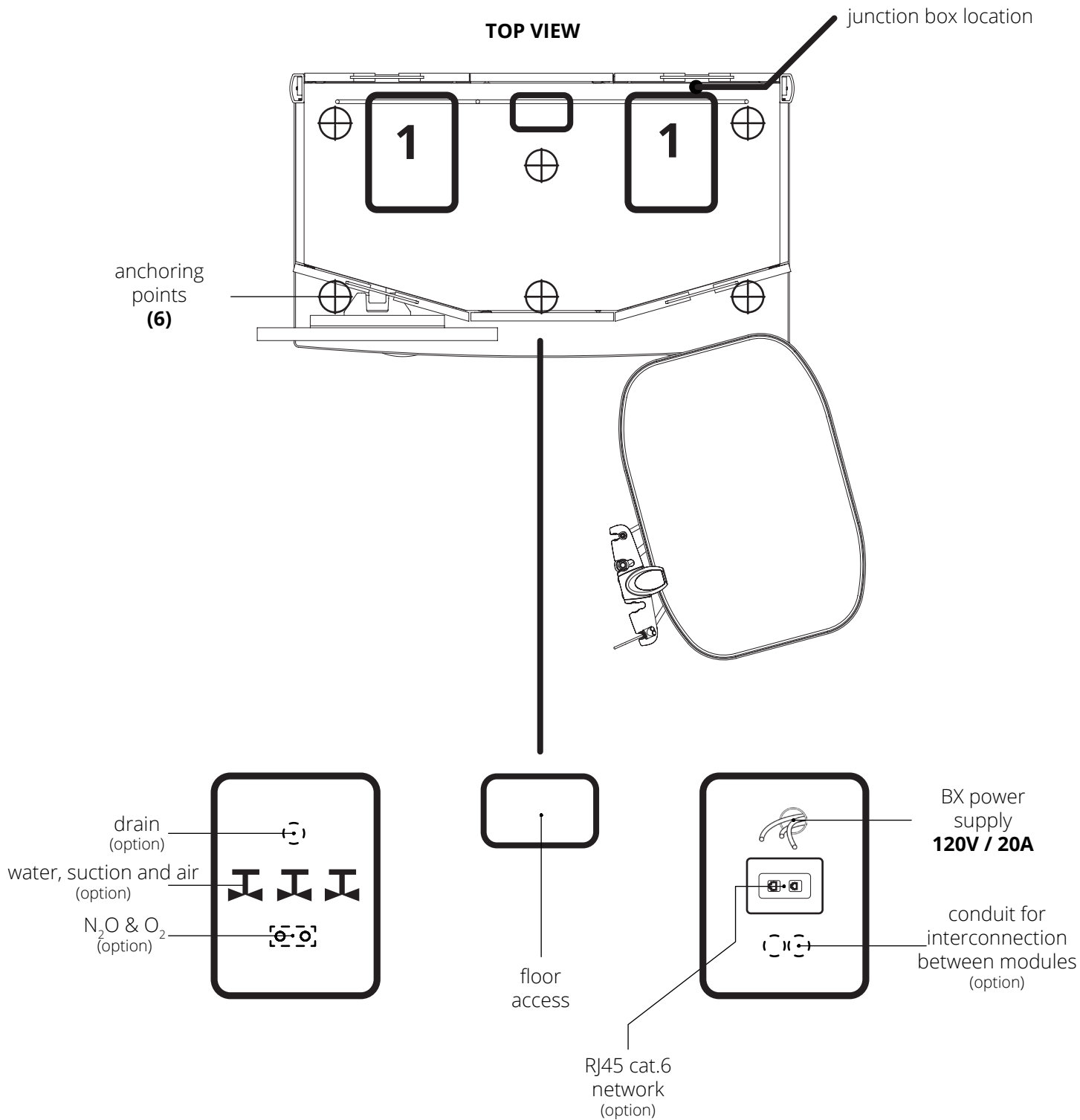
Triangle's objective is to always provide most up to date products, changes might be made without notice. However, all the efforts will be put to update the instructions as quickly as possible.

Before starting the install, the technician or entrepreneur must analyze the composition and the strength of the floor (concrete or wood), verify if a wall anchor is mandatory and finally, inspect the composition and strength of the wall (gypsum board, concrete or wooden material).

EXAMPLE OF INSTALLATION

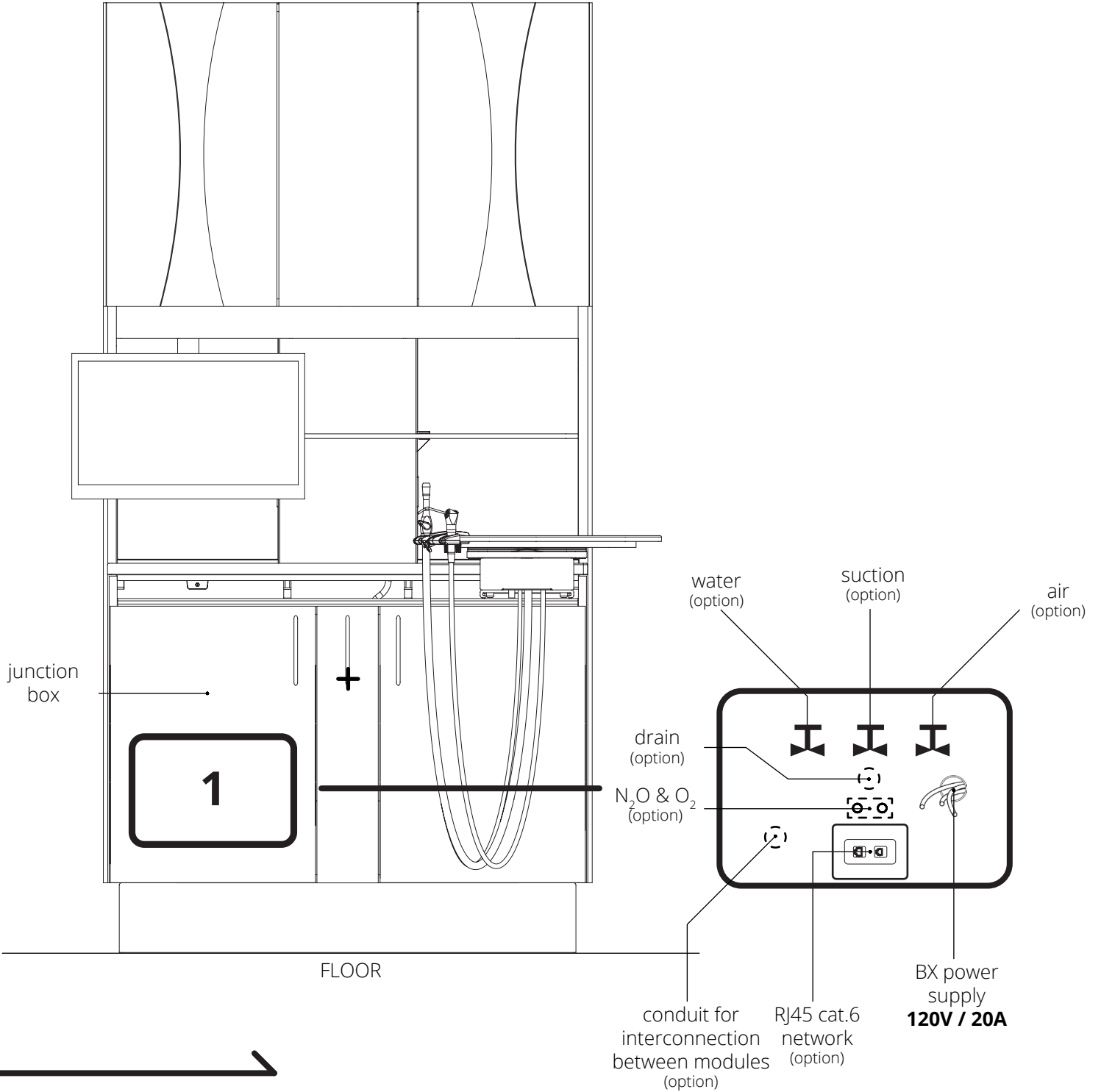


***Recommend distances for proper door and drawer openings. Please check the dimensions of each cabinet to validate it's position relative to the chair.**



Go to next page for wall connection.

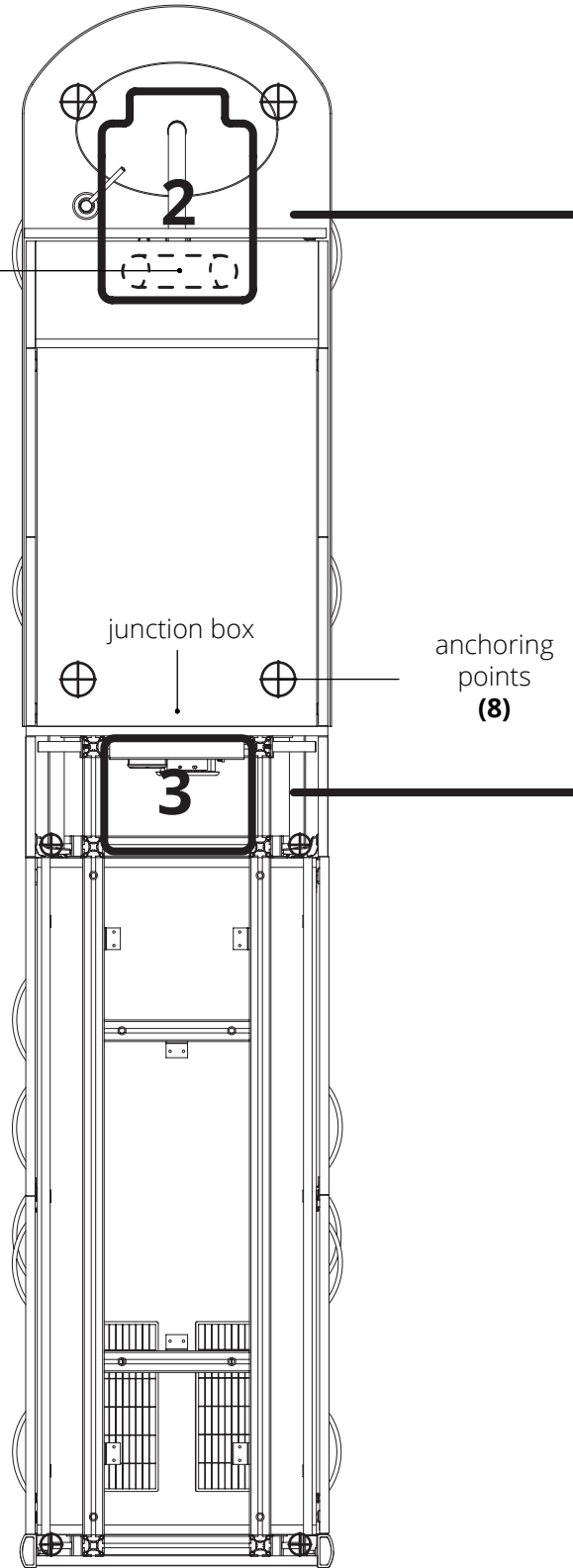
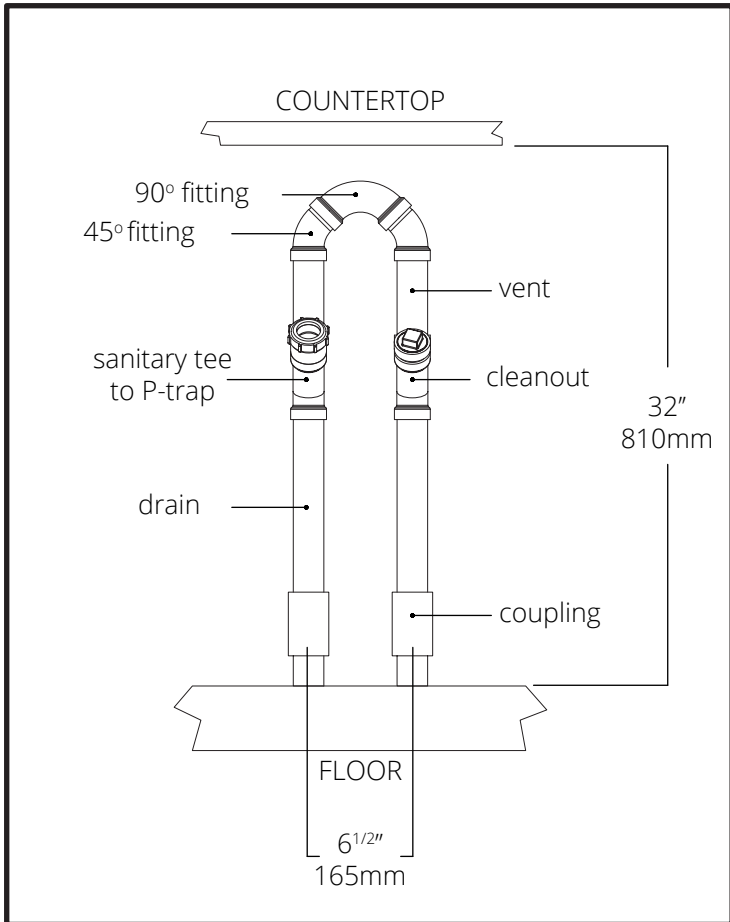
FRONT VIEW

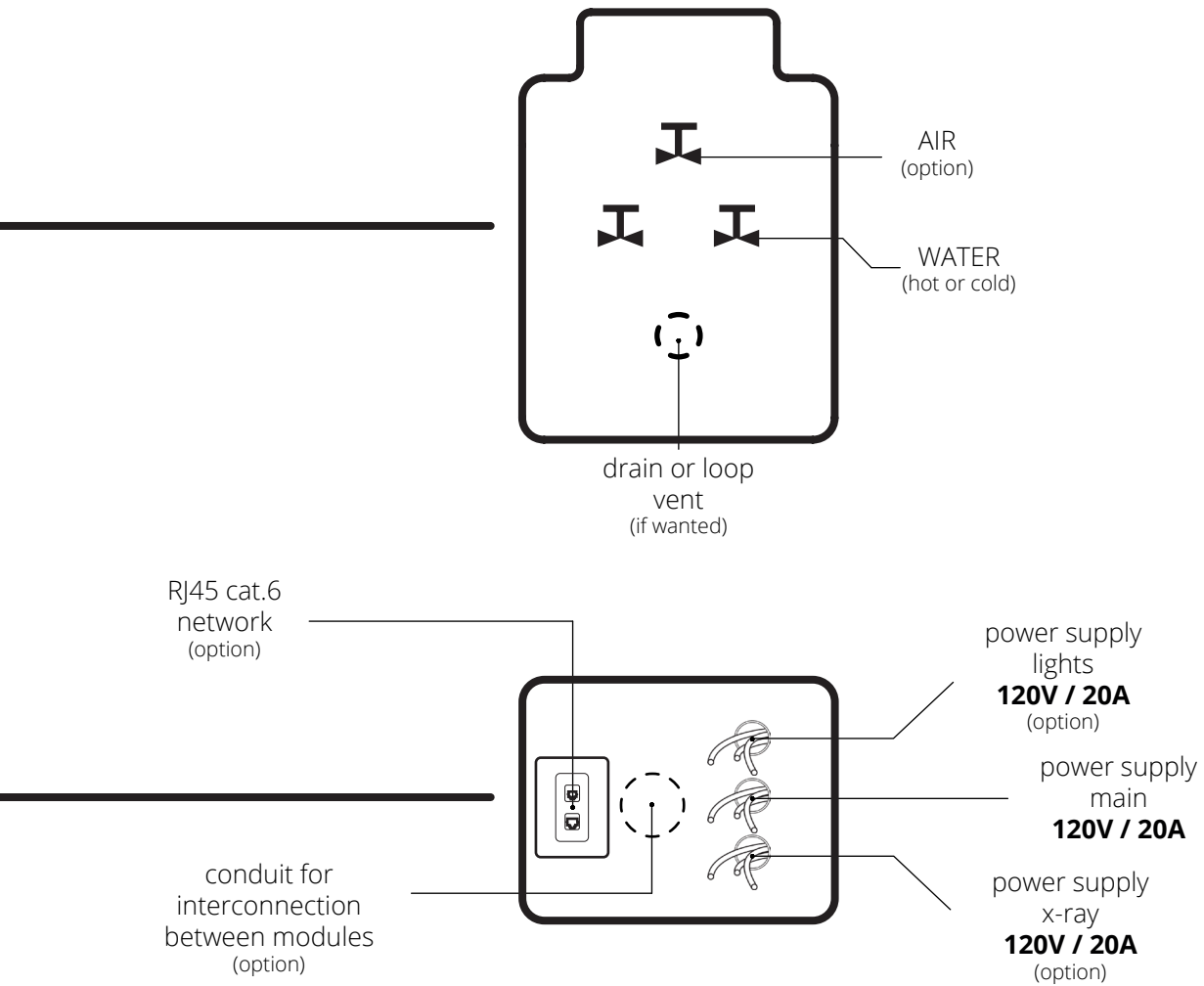


TOP VIEW

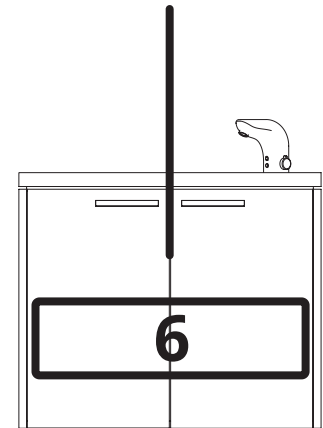
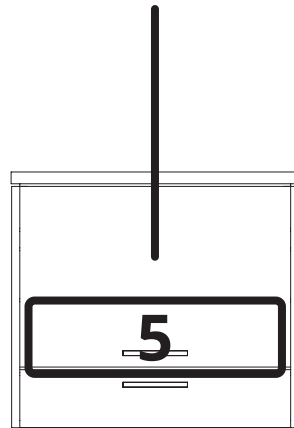
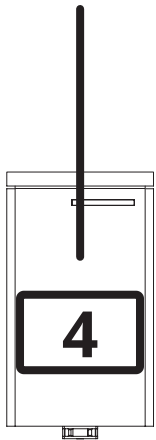
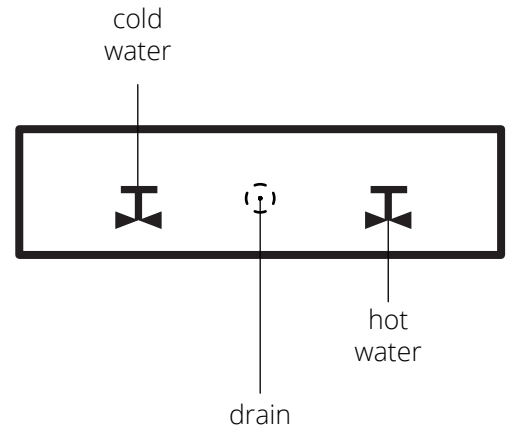
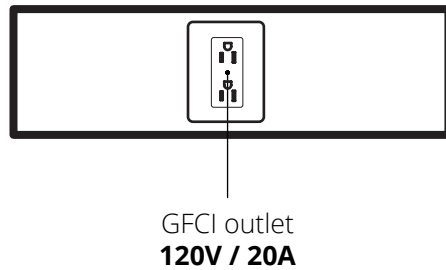
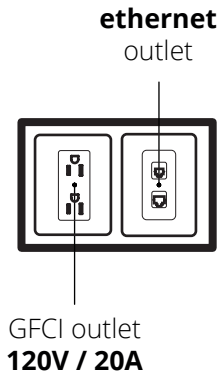
drain or loop
vent
(if wanted)

FIG.1 FRONT VIEW OF THE LOOP VENT





FRONT VIEW
WALL MOUNTED MODULES



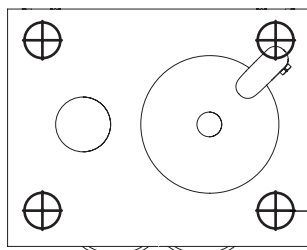
FLOOR

FLOOR

FLOOR

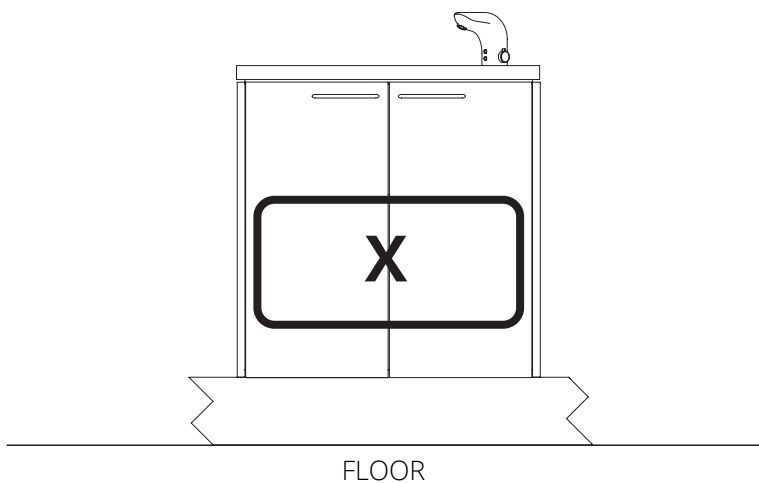
Services needed go by the cut-out number, whether if the module is floor or wall mounted.

TOP VIEW
FLOOR MODULES



anchoring
points
(4)

FRONT VIEW
FLOOR MODULES



According to the number, refer to the cut-outs of the previous page.

REQUIREMENTS

1. Material requirements

1.1 Conduit

Different conduits should be routed between the side modules, the rear console, the chair and the center island for interconnection purposes. The conduits could be under the floor or behind the walls.

1.2 Floor

Before installation, the dealer must check the composition and strength of the floor (concrete or wooden material). Every floor module must be fixed to the floor with the provided screws **(at least 4 legs per module)**.

1.3 Walls

For any wall-mounted cabinet, the dealer must check the composition and strength of the wall (gypsum board, concrete or wooden material) to prevent unsafe rail installation. If the distance between the wall studs is unsuitable, we recommend adding a wooden panel behind the gypsum board at the rail fastening height.

Fasteners capable of holding **150lbs/unit (70kg/unit)** are delivered with the modules. Fix each module to the rail with **at least 2 fasteners**.

2. Plumbing requirements

***The rough-in must be at 4" for every service entry.**

2.1 Water

The cabinet is supplied with a 3/8" O.D. compression fitting. The water pressure should be between **40 and 130 psi** (300-900 kPa / 3 to 9 bar) and with a minimal outflow of **1.05 gal/min** (4L/min). The water must be of drinking quality, free of particules larger than **5 µm**. In case of hard water, a water conditioner/softener must be installed to the supply line.

2.2 Drain

If you foresee using small equipment requiring a drain, please refer to the manufacturer's instructions.

2.3 Loop vent

If a center island is installed, we recommend using a loop vent for better performance. See instructions in the annex.

2.4 Air supply

The cabinet is supplied with a 3/8" O.D. compression fitting. The air pressure should be between 80-130psi (5.5-9bar / 550-900kPa) and an outflow of at least 55L/min. A compressor with an air dryer must be used to ensure that the air is clean, dry and oil free.

2.5 Vacuum

The cabinet is supplied with a 3/8" O.D. tubing to connect the solid collector to the vacuum pump. The connection might be different depending on the vacuum system, please refer to the manufacturer's instructions.

2.6 N₂O & O₂ gas

For the nitrous oxide sedation system, one N₂O and O₂ gas outlet is needed.

REQUIREMENTS

3. Electrical requirements

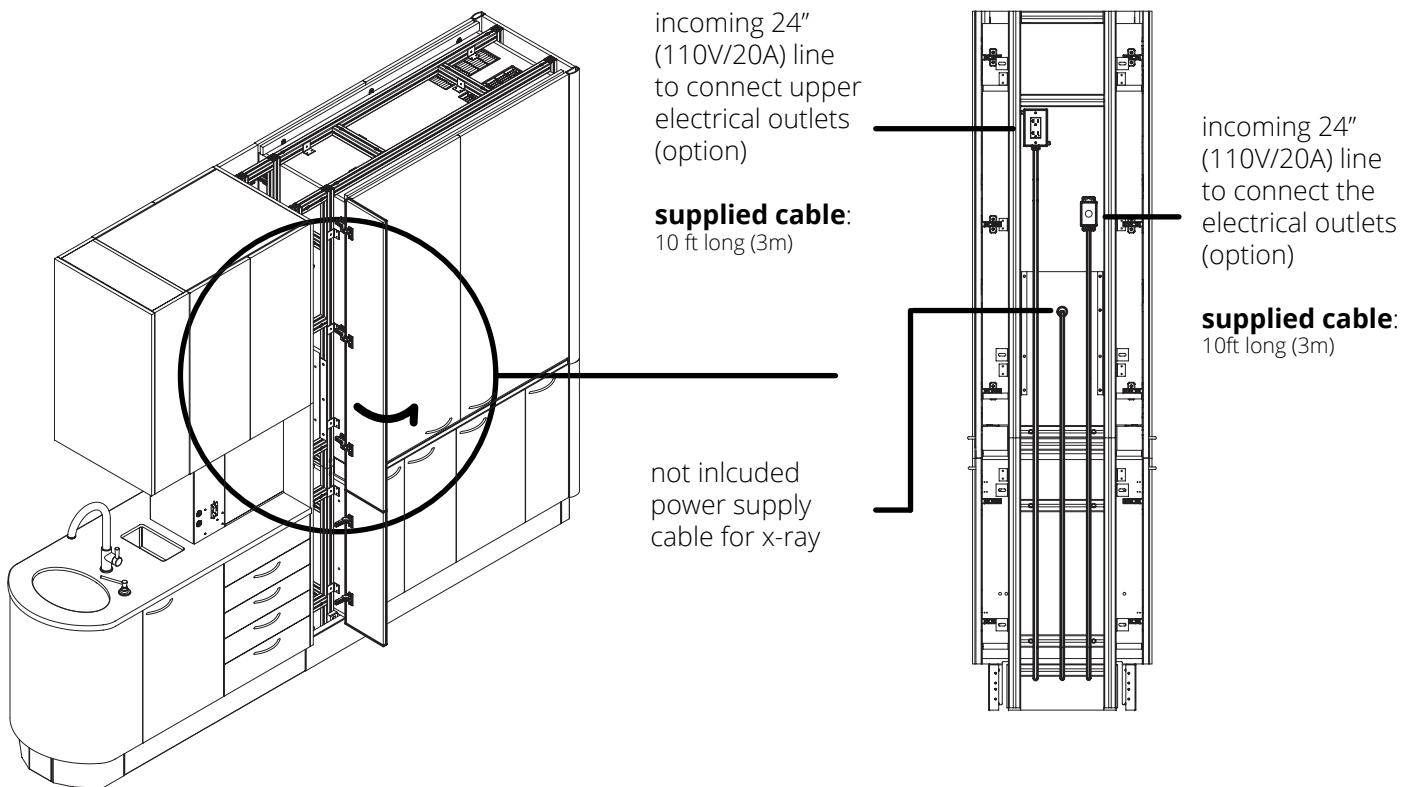
3.1 Power line

3.1.1 For the rear console ER42

An incoming line is required to connect the main junction box : **120 VAC / 20 A / 50-60 Hz.**

3.1.2 For the center island IC114

An incoming 24" line is needed to connect the main electrical box: **120 VAC / 20 A / 50-60 Hz.** Unit must be properly grounded in accordance with required electrical codes.



***Electrical requirements for auxiliary equipment and optional accessories may be different. Please refer to the manufacturer's instructions that come with the specific equipment.**

3.2 Network connection

For each external network connection, a network jack RJ-45 for a category 6 cable needs to be installed.

For more information, please contact Triangle :

Triangle Furniture Systems inc.
+1.(877).424.4040
trisaes@triangle-online.com

v1